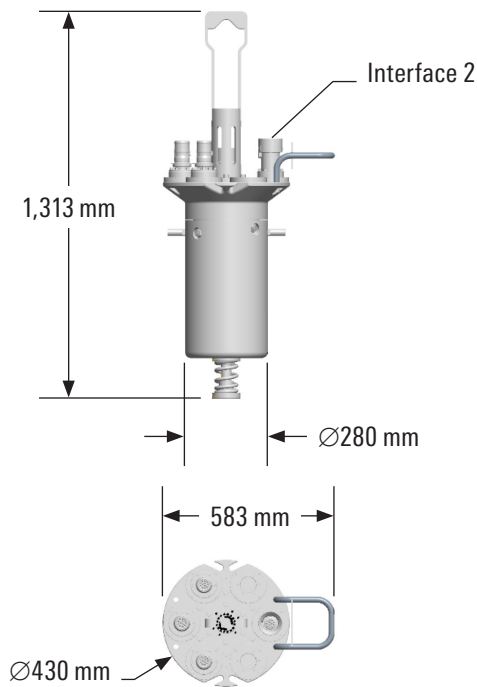
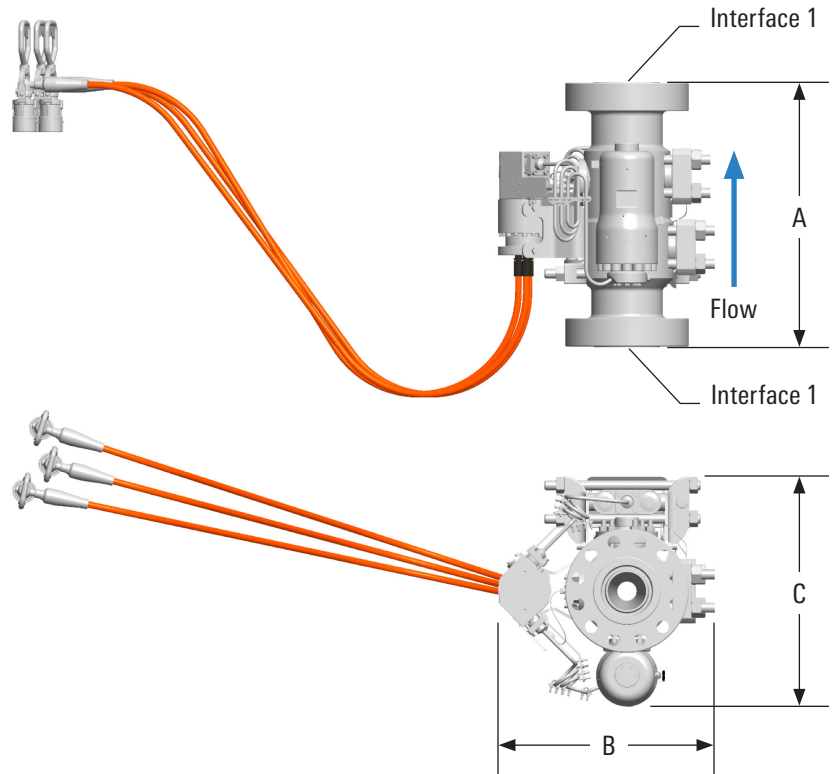


Vx Omni Subsea Multiphase Flowmeter Retrievable Interfaces



Retrievable power and communication pod.



Vx Omni flowmeter.

Vx Omni* Subsea Multiphase Flowmeter Size and Pressure Rating Projection

Pressure, psi	Vx Omni Flowmeter, mm		
	52	65	88
10,000	●	●	●
15,000	●	●	●
20,000	●	●	—

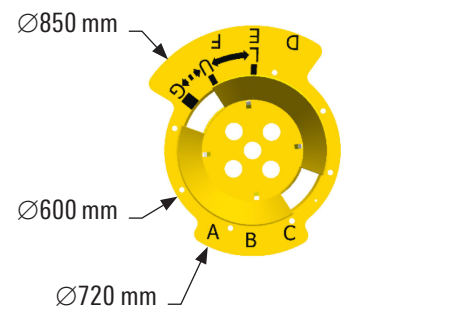
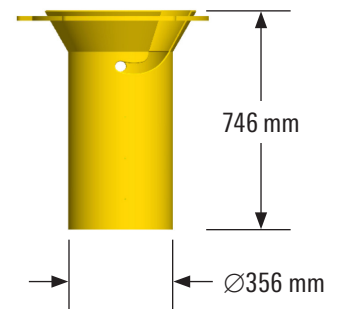
Specifications

Size, mm	Pressure Rating, psi	Interface 1	A, mm	B, mm	C, mm
52 [†]	10,000	API 6BX, 4 ¹ / ₁₆ in, ID 103 mm	810±0.2	706±3	768±3
	15,000	API 6BX, 4 ¹ / ₁₆ in, ID 103 mm	860±0.2	706±3	768±3
	20,000	API 6BX, 4 ¹ / ₁₆ in, ID 103 mm	930±0.2	706±3	768±3
65 [‡]	10,000	API 6BX, 5 ¹ / ₁₆ in, ID 130 mm	830±0.2	735±3	782±3
	15,000	API 6BX, 5 ¹ / ₁₆ in, ID 130 mm	900±0.2	735±3	782±3
	20,000	OneSubsea, 5 ¹ / ₁₆ in, ID 130 mm	1,000±0.2	735±3	782±3
88 [§]	10,000	API 6BX, 7 ¹ / ₁₆ in, ID 179 mm	960±0.2	750±3	802±3
	15,000	API 6BX, 7 ¹ / ₁₆ in, ID 179 mm	1,000±0.2	750±3	802±3

[†] Vx Omni flowmeter 52 has a throat diameter of 51.5 mm.

[‡] Vx Omni flowmeter 65 has a throat diameter of 65 mm.

[§] Vx Omni flowmeter 88 has a throat diameter of 89.5 mm.



Funnel.